

Specifications

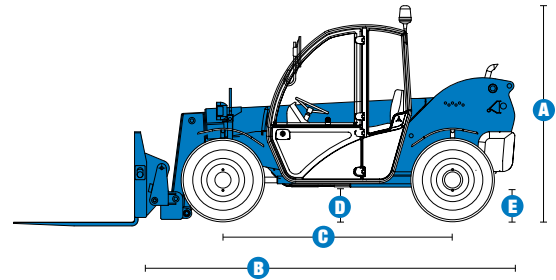
MODEL		GTH™-5519
MEASUREMENTS		
	US	Metric
Maximum lift height	18 ft 10 in	5.74 m
Reach	11 ft 3 in	3.43 m
Reach at maximum height	1 ft 10 in	0.56 m
A Height, stowed	6 ft 4 in	1.93 m
B Length, stowed (without forks)	12 ft 3 in	3.73 m
Width	5 ft 11 in	1.80 m
C Wheelbase	7 ft 6 in	2.29 m
D Ground clearance, center	1 ft 2 in	0.36 m
E Ground clearance, axle	10 in	0.25 m
Fork cross section	2 x 4 in	0.05 x 0.10 m

PRODUCTIVITY		
Maximum lift capacity	5,500 lbs	2,500 kg
Lift capacity at maximum height	2,600 lbs	1,179 kg
Lift capacity at maximum reach	1,700 lbs	771 kg
Drive speed	15 mph	24.1 km/h
Draw bar pull	10,250 lbs	4,649 kg
Turning radius, inside (4WS)	5 ft 6 in	1.68 m
Turning radius, outside (4WS)	11 ft	3.35 m
Auxiliary hydraulic flow	16 gpm	60.6 lpm
Auxiliary hydraulic pressure	3,915 psi	270 bar
Tires, standard size	12 X 16.5 in, 10 ply	

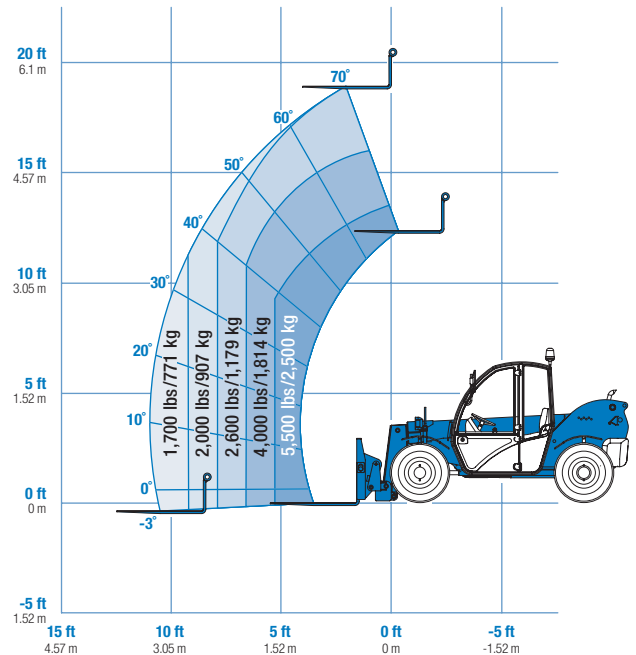
POWER		
Power source	Deutz F4M2011 4 cylinder diesel 63 hp (47.0 kW)	
Hydraulic tank capacity	19 gal	70 liters
Hydraulic system capacity (w/tank)	28 gal	105 liters
Fuel tank capacity	38 gal	145 liters

WEIGHT		
Weight*	9,990 lbs	4,531 kg

STANDARDS COMPLIANCE	ASME B 56.6, ISO 8471, ISO 8449
-----------------------------	---------------------------------



RANGE OF MOTION GTH™-5519



* Weight will vary depending on options and/or country standards.

Features

STANDARD FEATURES

MEASUREMENTS

- 5,500 lb (2,500 kg) maximum lift capacity
- 18 ft 10 in (5.74 m) maximum lift height
- 11 ft 3 in (3.43 m) maximum reach

PRODUCTIVITY

- 4WD
- 4WS
- Three steering modes: 2-wheel, 4-wheel coordinated and 4-wheel crab
- Power assisted steering
- Variable speed hydrostatic drive
- Limited slip front axle differential
- Internal multiple wet disc brakes
- Spring applied, hydraulic release emergency parking brake
- 12 x 16.5 in air-filled tires
- Fenders (set of 4)
- ROPS/FOPS canopy (ISO compliant)
- Multi-function joystick controller
- Fully hydraulic proportional boom controls
- Tilt steering column
- Retractable seat belt
- Machine level indicator
- Right-side screen guard
- Genie hydraulic quick attach
- Auxiliary hydraulic circuit
- 48 inch carriage
- 48 inch pallet forks
- Boom angle indicator

POWER

- Deutz 63 hp Tier II diesel engine
- Cold start intake glow plug

OPTIONS & ACCESSORIES

PRODUCTIVITY

- Enclosed cab, includes door, clip-in glass inserts, front wiper and tank, cab heater
- Cab air conditioner
- Adjustable suspension seat
- Foam-filled tires
- Flashing beacons
- Work lights

ATTACHING SYSTEM OPTIONS

- Universal attach adapter
- Universal hydraulic quick attach (pin on)
- Universal manual quick attach (pin on)

ATTACHMENT OPTIONS

- Carriages
 - 48 in (1.22 m) side shift carriage
 - 48 in (1.22 m) rotating fork carriage
 - Pallet fork carriage (ITA type)
- Forks (in addition to standard 48 in pallet forks)
 - 60 in (1.52 m) forks
 - 48 in (1.22 m) forks (ITA type)
 - Cubing tines, 2 x 2 x 48 in (.05 x .05 x 1.22 m)
- Buckets
 - 66 in bucket with bolt-on cutting edge, .50/.65 yd³ struck/heaped
 - 60 in bucket with bolt-on cutting edge, .65/.75 yd³ struck/heaped
 - 72 in 4-in-1 bucket
 - 78 in scrap grapple bucket
- Agricultural
 - 66 in agricultural bucket with grapple
 - Bale hugger
 - Bale spike



- Augers
 - Auger hydraulic drive unit with mount and cradle
 - 6 x 36 in auger
 - 9 x 36 in auger
 - 15 x 36 in auger
 - 18 x 36 in auger
 - 24 x 36 in auger
 - 30 x 36 in auger
- 6 ft truss boom
- 6 ft x 26 in bucket broom
- 6 ft x 32 in angle sweeper
- Hydraulic angle kit for angle sweeper
- 8 ft Pow-R-Push

Genie United States

18340 NE 76th Street
P.O. Box 97030
Redmond, Washington 98073-9730
Telephone **(425) 881-1800**
Toll Free in USA/Canada **800-536-1800**
Fax (425) 883-3475

Genie Europe

The Maltings,
Wharf Road
Grantham NG31 6BH
U.K.
Telephone **+44 (0)1476 584333**
Fax +44 (0)1476 584334
Email: infoeurope@genieind.com

Distributed By:

For further information, please contact your local distributor or the Genie Industries sales office listed. Product specifications are subject to change without notice or obligation. The photographs and drawings in this brochure are for illustrative purposes only. Refer to the appropriate Operator's Manual for instructions on the proper use of this equipment. Failure to follow the appropriate Operator's Manual when using our equipment or to otherwise act irresponsibly may result in serious injury or death. Prices and specifications subject to change without notice. The only warranty applicable is the standard written warranty applicable to the particular product and sale. Genie makes no other warranty, expressed or implied. Products and services listed may be trademarks, service marks or trade-names of TEREX Corporation and/or its subsidiaries in the USA and other countries and all rights are reserved. Copyright © 2006 Genie Industries, Inc. "Genie" is a Registered Trademark of Genie Industries, Inc. in the USA and many other countries. Genie is a TEREX Company.